

TUN-W-3000~4940/1~1000mW

**LD PUMPED ALL-SOLID-STATE
MID-IR LASER AT 3000~4940nm**

The series of laser provide a CW output power of about max. 1000mW and has a wide tuning range. The customer can order any wavelength range in the list. It is widely used in spectroscopy, remote sensing, medical, counter-measure, etc.

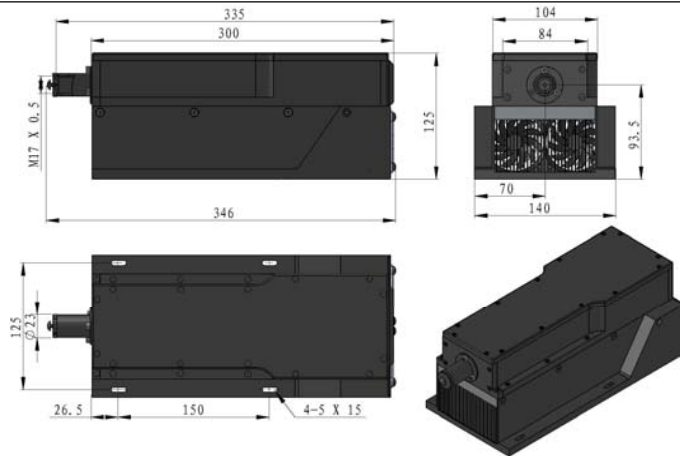


SPECIFICATIONS

| | | | | | | | | | | | |
|--|------------------------|-------------------|-------------------|-------------------|-------------------|-------------------|-----------------------|-------------------|-------------------|-------------------|-------------------|
| Wavelength (nm) | 3000 ~ 3200 | 3200 ~ 3400 | 3400 ~ 3600 | 3600 ~ 3740 | 3740 ~ 3960 | 3960 ~ 4150 | 4150 ~ 4320 | 4320 ~ 4480 | 4480 ~ 4640 | 4640 ~ 4800 | 4800 ~ 4940 |
| Wavelength deviation(nm) | ± 20 | | | | | | | | | | |
| Average power (mW) | 1, 100, 200, ..., 1000 | | | | | | 1, 100, 200, ..., 800 | | | | |
| Operating mode | CW | | | | | | | | | | |
| Power stability (rms, over 4 hours) | <5%, <10% | | | | | | | | | | |
| Beam divergence, full angle (mrad) | <10 | | | | | | | | | | |
| Beam diameter at the aperture (1/e ² ,mm) | <10 | | | | | | | | | | |
| Warm-up time (minutes) | <10 | | | | | | | | | | |
| Beam height from base plate (mm) | 93.5 | | | | | | | | | | |
| Operating temperature (°C) | 10~35 | | | | | | | | | | |
| Power supply (90-264VAC) | PSU-W-FDA | | | | | | | | | | |
| Expected lifetime (hours) | 10000 | | | | | | | | | | |
| Warranty period | 1 year | | | | | | | | | | |

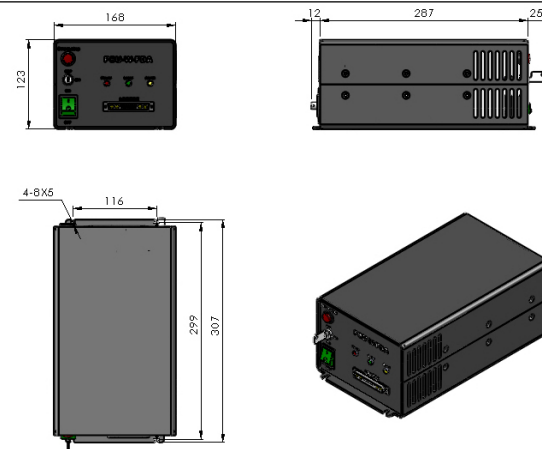


TUN-W-3000~4940



346(L)×140(W)×125(H) mm³, 5.7kg

PSU-W-FDA



307 (L) ×168(W) ×123(H) mm³, 4.5kg